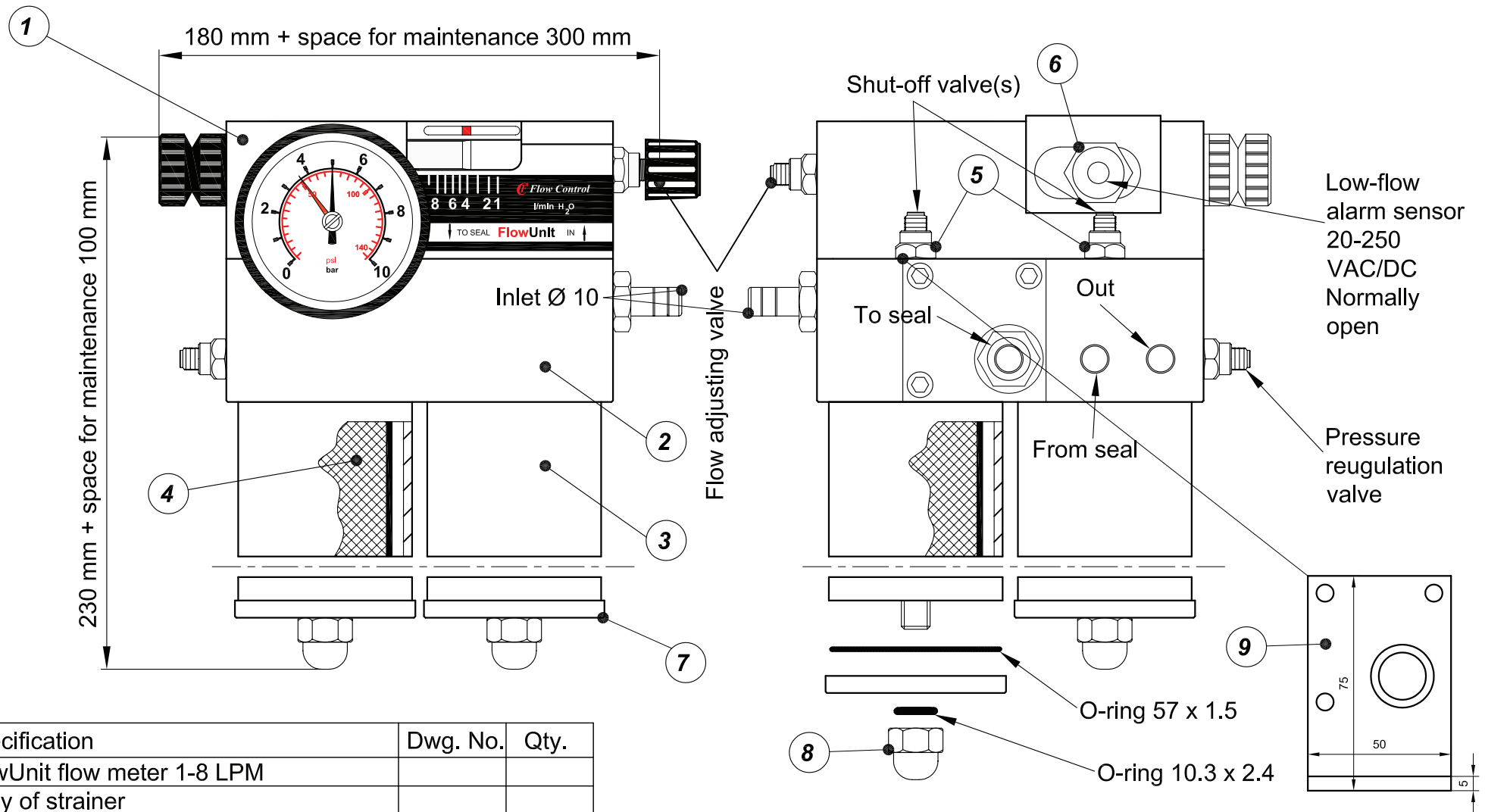


FlowFilter Double Strainer with FlowUnit seal water control unit



Parts list

Pos.	Specification	Dwg. No.	Qty.
1	FlowUnit flow meter 1-8 LPM		
2	Body of strainer		
3	Cylinder		
4	Strainer filter (500-800 μm)		
5	Shut-off valve(s)		
6	Alarm sensor 20-250 V AC/DC		
7	Bottom plate		
8	Capped nut		
9	Mounting bracket 75x70x50		

Designed: Tevi	Drawn: THU	Date: 31.05.2007	Product: FlowFilter
FlowFilter Double strainer			
	Material: -	Scale: 1:2 (CAD)	Drawing number:
			1020